

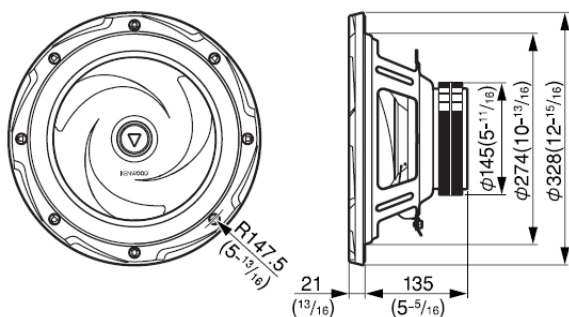
KFC-W3010 / KFC-W2510

Specifications

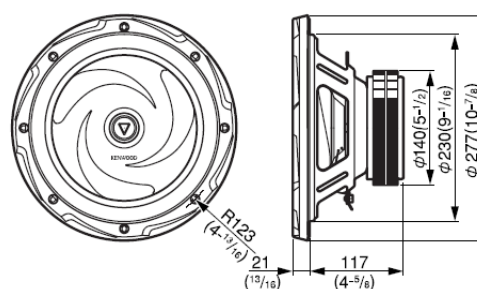
	■ KFC-W3010	■ KFC-W2510
Subwoofer	300 mm (12") Pearl Mica Cone type	250 mm (10") Pearl Mica Cone type
Nominal Impedance	4 Ω	4 Ω
Peak Input Power	1000 W	800 W
Rated Input Power	200 W	175 W
Sensitivity	93 dB/W at 1 m	91 dB/W at 1 m
Free Air Resonance	32 Hz	35 Hz
Frequency Response	25-800 Hz	28-800 Hz
Net Weight	4,850 g	3,850 g

Dimensions

KFC-W3010



KFC-W2510



Unit:mm(inch)

Technical specifications

	SYMBOL	UNIT	KFC-W3010
Nominal Impedance	Z	Ω	4
DC Resistance	Revc	Ω	4
Voice Coil Inductance	Levc	mH	3.75
Piston Area	Sd	sq.m	0.0491
Force Factor	BL	T·m	16.4
Volume Acoustic Compliance	Vas	liter	74.15
		cu.ft	2.617
Moving Mass	Mms	g	146.3
Resonance Frequency	Fs	Hz	28
Mechanical Q Factor	Qms		11.57
Electrical Q Factor	Qes		0.39
Total Q Factor	Qts		0.38
Peak Power		W	1000
Peak Excursion	Xmax	mm	8
Displacement		cc	4,077
		cu.ft	0.144
Mounting Depth		mm (in.)	135(5-5/16)
Weight of Magnet		g (oz)	1,800(63.4)
Voice Coil Diameter		mm (in.)	65(2-9/16)

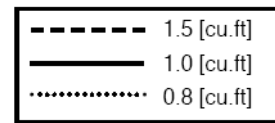
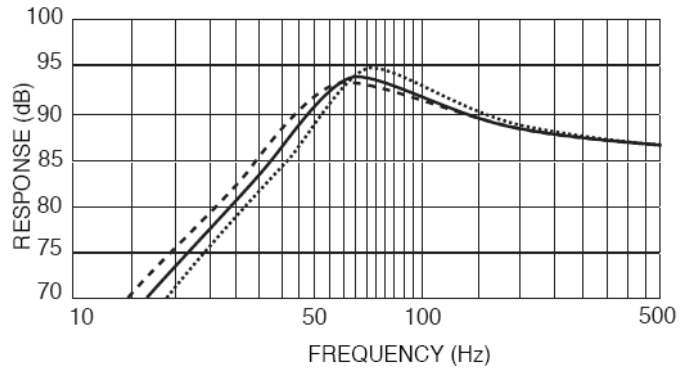
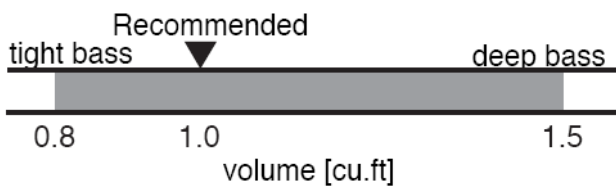
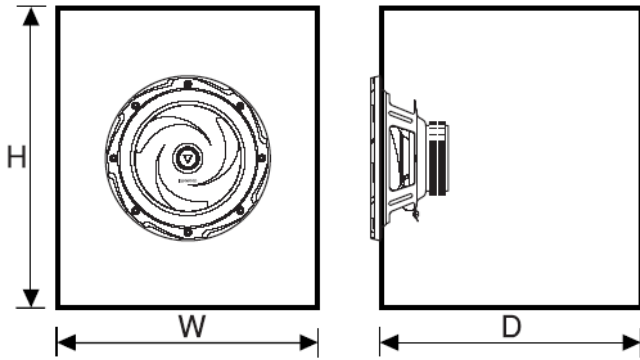
Technical specifications

	SYMBOL	UNIT	KFC-W2510
Nominal Impedance	Z	Ω	4
DC Resistance	Revc	Ω	4
Voice Coil Inductance	Levc	mH	1.36
Piston Area	Sd	sq.m	0.0363
Force Factor	BL	T·m	13.2
Volume Acoustic Compliance	Vas	liter	44.04
		cu.ft	1.556
Moving Mass	Mms	g	85.99
Resonance Frequency	Fs	Hz	35
Mechanical Q Factor	Qms		10.55
Electrical Q Factor	Qes		0.44
Total Q Factor	Qts		0.42
Peak Power		W	800
Peak Excursion	Xmax	mm	8
Displacement		cc	2,390
		cu.ft	0.084
Mounting Depth		mm (in.)	117(4-5/8)
Weight of Magnet		g (oz)	1,400(49.3)
Voice Coil Diameter		mm (in.)	48(1-7/8)

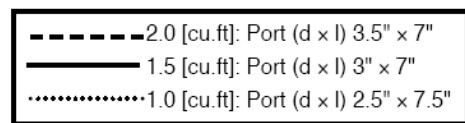
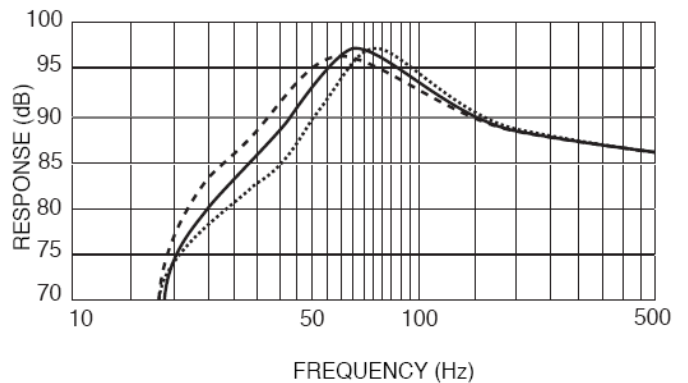
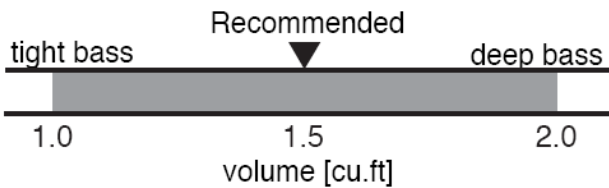
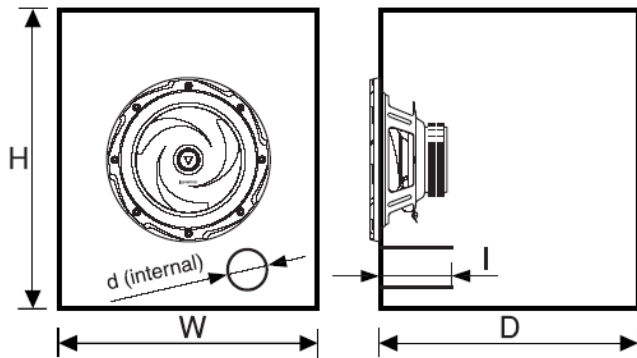
Recommended Enclosures

KFC-W3010

SEALED



PORTED



Recommended Enclosures

*W, H, D.....External Dimensions

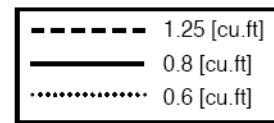
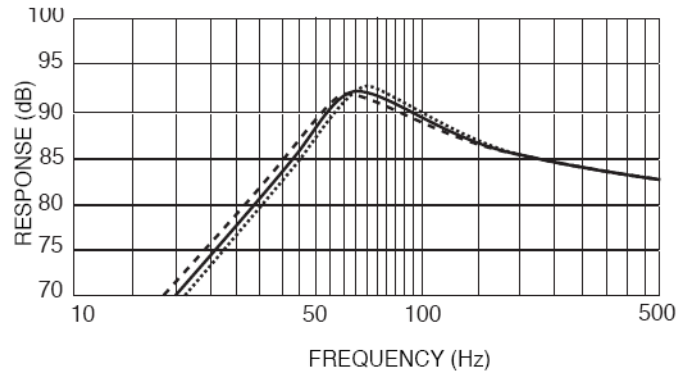
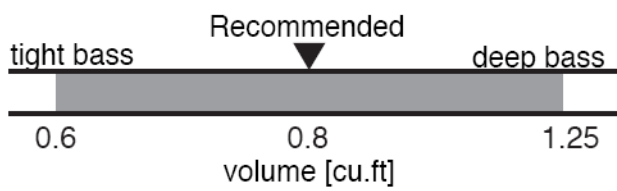
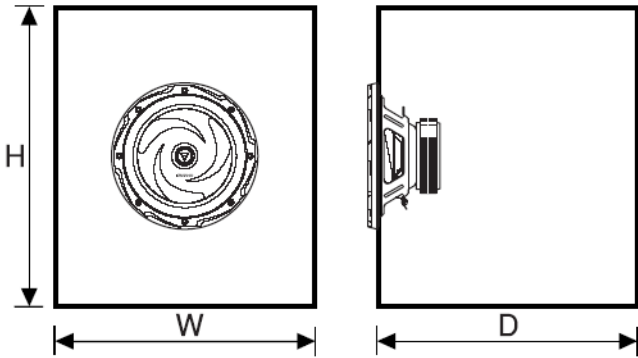
Model Name	Volume	W	H	D	Mounting Hole	Port Diameter d	Port Length l	Displacement
KFC-W3010	1.0	375 (14-3/4)	360 (14-3/16)	350 (13-3/4)	277 (10-7/8)	Sealed	Sealed	0.144
	1.5	380 (14-15/16)	505 (19-7/8)	340 (13-3/8)		76 (3)	178 (7)	
(unit)	cu.ft	mm (in.)						cu.ft

Use 21 mm (3/4 inch) thick Medium Density Fiberboard (MDF) or High Density Particleboard.

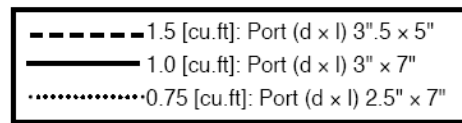
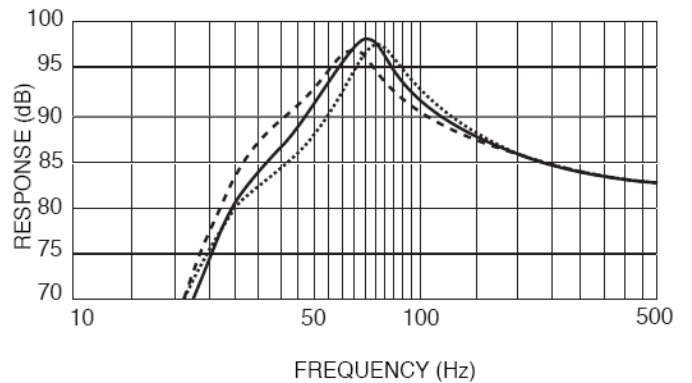
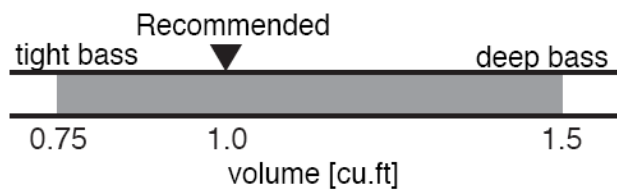
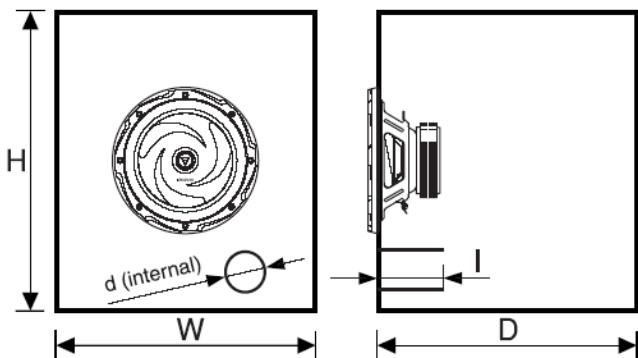
Recommended Enclosures

KFC-W2510

SEALED



PORTED



Recommended Enclosures

*W, H, D.....External Dimensions

Model Name	Volume	W	H	D	Mounting Hole	Port Diameter d	Port Length l	Displacement
KFC-W2510	0.8	350 (13-3/4)	330 (13)	320 (12-5/8)	233 (9-3/16)	Sealed	Sealed	0.084
	1.0	330 (13)	510 (20-1/16)	270 (10-5/8)		76 (3)	178 (7)	
(unit)	cu.ft	mm (in.)						cu.ft

Use 21 mm (3/4 inch) thick Medium Density Fiberboard (MDF) or High Density Particleboard.